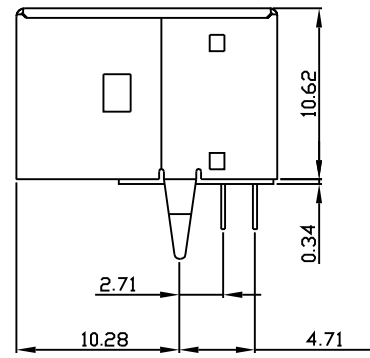
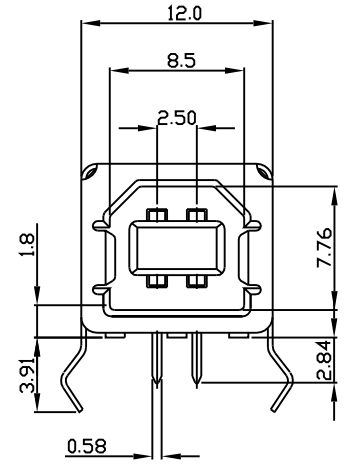


P.C.B. LAYOUT



NOTES:

1.MATERIAL:

HOUSING: PBT 30%GLASS
 PIN: Phosphor Bronze
 SHELL: Brass

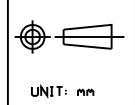
2.PLATING:

PIN: Ni 50u" min ,Au 3u" min ,Sn 120u" min
 SHELL: PLAT Sn/Pb 100u" min.

3.P/N:

GS043A-XX
 COLOR: 1.BLACK 2.WHITE
 BACK SHIELD: 1.WITH

CUSTOMER DRAWING



Global Shine Technology Co.,Ltd.
 TEL:8200-3005
 FAX:8200-3014

General Tolerances:
 Angle: ±2°
 Dim: 0.0 ±0.25
 0.00 ±0.20
 0.000 ±0.10

Date: 04/12/02 Sheet 1 of 1
 DWG. NO: GS043A-XX REV: A

REV	Revision Record	Date	Drawn by	Chk'd by	Title:
Revise Only On Cad System			Appr'd by	Scale	1 : 1

Title: USB/B/SING.