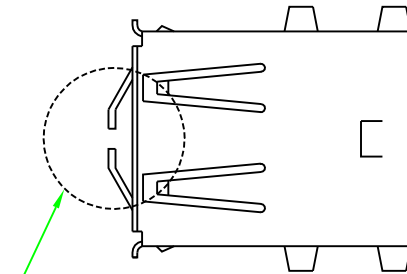


P.C.B. LAYOUT



NOTE 3

NOTES:

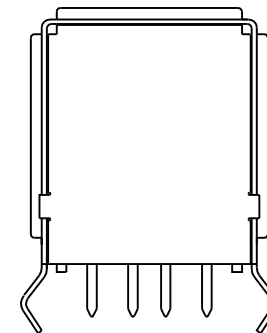
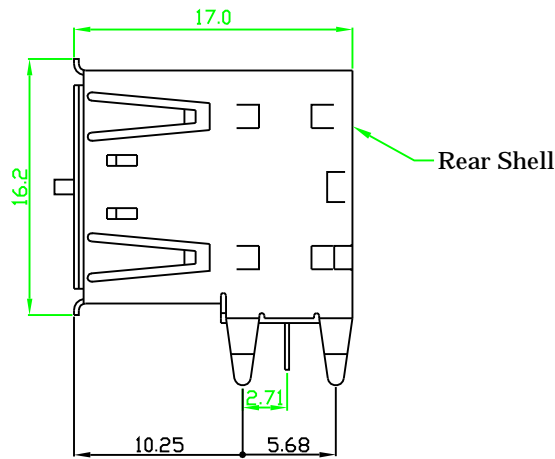
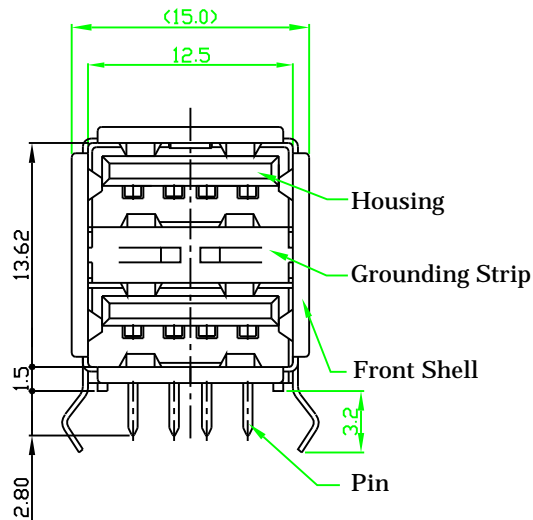
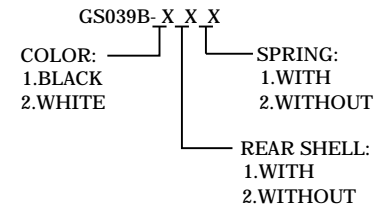
1.MATERIAL:

FRONT SHELL: BRASS  
 REAR SHELL: SPCC  
 HOUSING: PBT 30%GLASS  
 PIN: PHOSPHOR BRONZE  
 GROUNDING STRIP: BRASS

2.PLATING:

FRONT SHELL: Sn 100u" min.  
 REAR SHELL: Sn 100u" min.  
 PIN: Ni 50u" , Sn 100u" ,GOLD FLASH  
 GROUNDING STRIP: Sn 100u" min.

3.P/N:



		<b>CUSTOMER DRAWING</b>				Global Shine Technology Co.,Ltd.	
				UNIT: mm		TEL:8200-3005 FAX:8200-3014	
		General Tolerances: Angle: ±2°		Dim: 0.0 ±0.25 0.00 ±0.20 0.000 ±0.10	Date: 04/12/02	Sheet 1 of 1	
A	RELEASE	04/12/02			DWG. NO: GS039B-XXX	REV: A	
REV	Revision Record	Date	Drawn by	Chk'd by	Title: USB/A/DUAL.		
Revise Only On Cad System			Appr'd by	Scale 1 : 1			