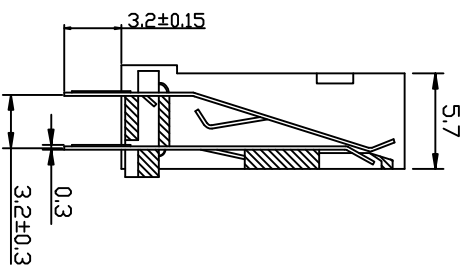
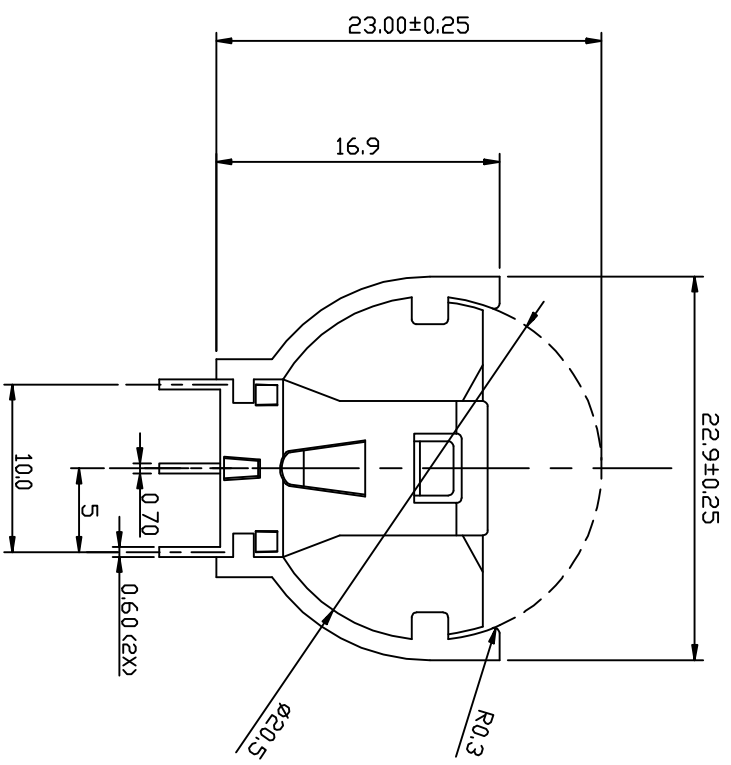


P.C. BOARD LAYOUT

NOTE: P.C.B LAYOUT TOLERANCE:  $\pm 0.05\text{mm}$

HOUSING: NYLON 66 (UL94V-0)  
 CONTACT: PHOSPHOR BRONZE  
 FINISH: TIN PLATED OVER NICKEL  
 Applicable: Battery CR 2032



GSS261 - 02 1 X  
 BATTERY DIM  
 $02\text{ID}=23.5\text{mm}$   
 $T=5.0\text{mm}$

PLATING  
 1:Sn 80u" MIN  
 OVER 30U" MIN NICKEL  
 1:BLACK  
 G: ROHS

UNIT: mm

REV	Revision Record	Date	Drawn by	Appr'd by	Scale	CHK'd by	Title
					1 : 1		BATTERY HOLDER
A	RELEASE	07/30/006					
B	Modified tolerance	18/12/014					
C	RC-2015-027	23/04/015					

General Tolerances:	Dim	0.0	±0.35
Angle	±2°	0.00	±0.20
		0.000	±0.10

DATE	23/04/15	SHEET	1 OF 1
DWG NO	GSS261-021X	REV	C

NOTES	CUSTOMER DRAWING
-------	------------------

GLOBAL SHINE TECHNOLOGY CO., LTD.	Tel: 8651-7318	Fax: 8651-7319
-----------------------------------	----------------	----------------