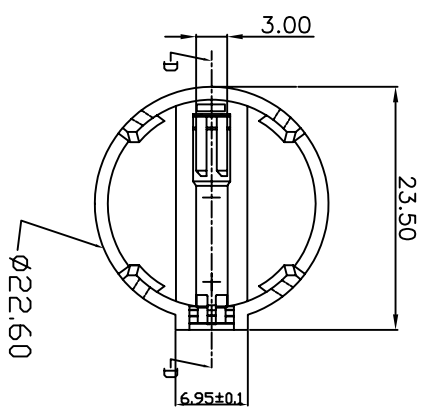


PCB HOLE LAYOUT

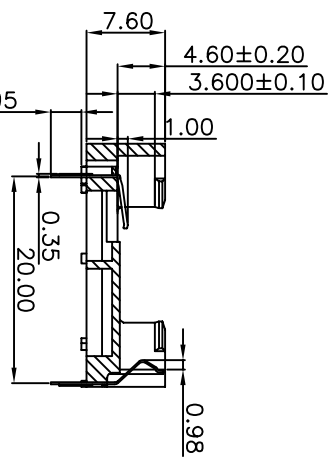
HOUSING: NYLON 66+G.F. UL94V-0
 CONTACT: PHOSPHOR BRONZE
 FINISH: TIN PLATED OVER NICKEL
 Applicable: Battery CR2032

GS251 - 02 1 X
 BATTERY DIM
 02: 2032

COLOR: 1: BLACK
 PLATING: 1: Sn/Pb 90/10 100u" MIN
 OVER 50u" MIN NICKEL
 G: ROHS



SECTION D-D



REV	Revision Record	Date	Drawn by	Appr'd by	Scale
A	RELEASE	09/19/006			1 : 1
General Tolerances: Dim 0.0 ±0.25 Angle ±2° 0.00 ±0.20 0.000 ±0.10					
Date: 09/19/006 Sheet 1 OF 1			Title: BATTERY HOLDER		

NOTES
 CUSTOMER
 DRAWING



UNIT: mm