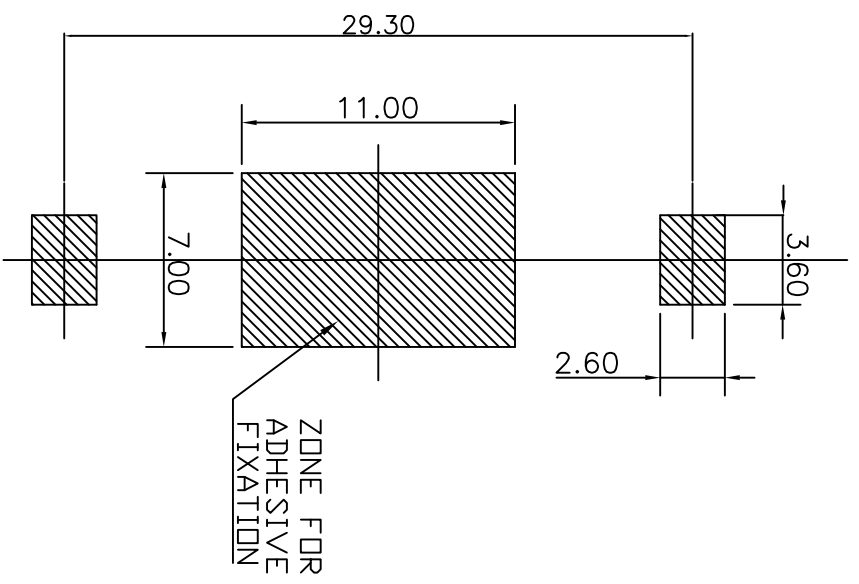
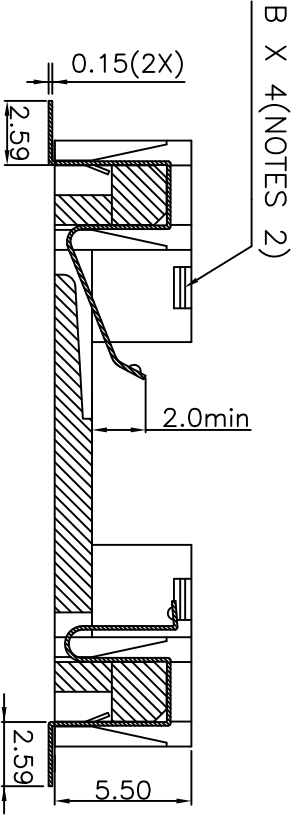
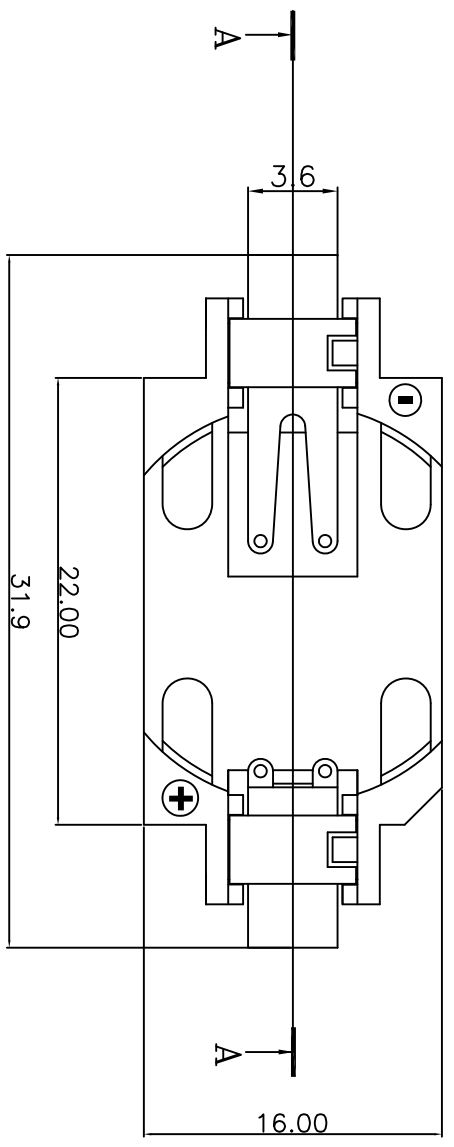


GS028L-02XX-2XA



B X 4 (NOTES 2)

SECTION A-A

PCB LAYOUT

- NOTES**
1. MATERIALS: HOUSING-LCP 30%GF UL94V-0.
CONTACT-PHOSPHOR BRONZE C5191R-H.
 2. PART NO.

- GS028 L - XX X X -2XX
BATTERY TYPE
02D=16.0 T13.2mm
- COLOR:-
1. WHITE
- PLATING:-
1. Sn 120u"MIN
2. OVER Ni 60u"MIN.
3. GOLD FLASH
G.LEAD-FREE
- NULL:WITH LOGO GS
A:WITHOUT LOGO
- PACKAGE TYPE:
2:TRAY GENERAL TYPE
3:TRAY FOR AUTOMATIC
PICK-AND-PLACE.
4.EMBOSSED TAPE PACKAGING
OF SMT BATTERY HOLDER

REVISION RECORD		DATE		APPROVED BY		SCALE	
REV	RELEASE	25/10/09			3 : 1		
Revision Record				Revised Only In Cad System			
ENGINEERING DRAWING				UNIT: mm		DATE: 10/25/09	
General Tolerances				Dim: 0.0		±0.30	
Angle: ±3°				0.00		±0.20	
				0.000		±0.10	
Drawn by				Checked by		Title: BATTERY HOLDER	
SMT ASSY				1632 OR 2032		Date: 10/25/09	
Sheet 1 OF 1				REV: A		Eng. No: GS028L-XXXX-2XX	
Global Shine Technology Co., Ltd.				TEL:02-8531-7318		FAX:02-8531-7319	